

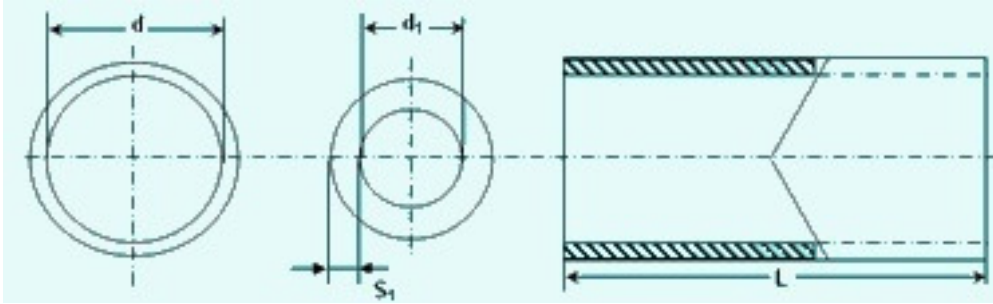
Siechem STRESS CONTROL TUBES

CHARACTERISTICS

- **Electron Beamed Heat Shrinkable stress control tubes with high value of permittivity to relieve the electrical stress in medium voltage joints and terminations up to 36 kV.**
- **Reliable stress control properties**
- **Good long-term performances**
- **Easy to Install, even at low temperatures**
- **Unlimited shelf life**



Technical Data				
	Property	Unit	Test Method	Typical value
1	Tensile strength	N / mm ²	IN 53455 / ISO 3	10 (min.)
2	Ultimate Elongation	%	IN 53455 / ISO 3	200 (min.)
3	Application Temperature	deg. C	-	-40 to +135 deg C
4	Density	gm/cm ³	ISO / R 1183	1.3
5	Low temp. flexibility	deg. C	ASTM D 2671	-40 deg. C
6	Dielectric Constant	-	IEC 250	20



Dimensions

Description	Expanded Inner Dia d (mm)	Recovered Inner Dia d ₁ (mm)	S ₁ (mm)	L (mm)	Supplied in continuous length as per customer's requirement
SCT 16/8	16	8	1.8 ± 0.3	25	
SCT 20/10	20	10	1.6 ± 0.3	25	
SCT 26/12	26	12	2.5 ± 0.3	25	
SCT 30/15	30	15	2.7 ± 0.3	25	
SCT 45/20	45	20	3.0 ± 0.3	20	
SCT 50/25	50	25	3.0 ± 0.3	20	
SCT 65/30	65	30	3.3 ± 0.3	20	
SCT 95/45	95	45	3.6 ± 0.3	10	

Other Sizes can be supplied against specific request